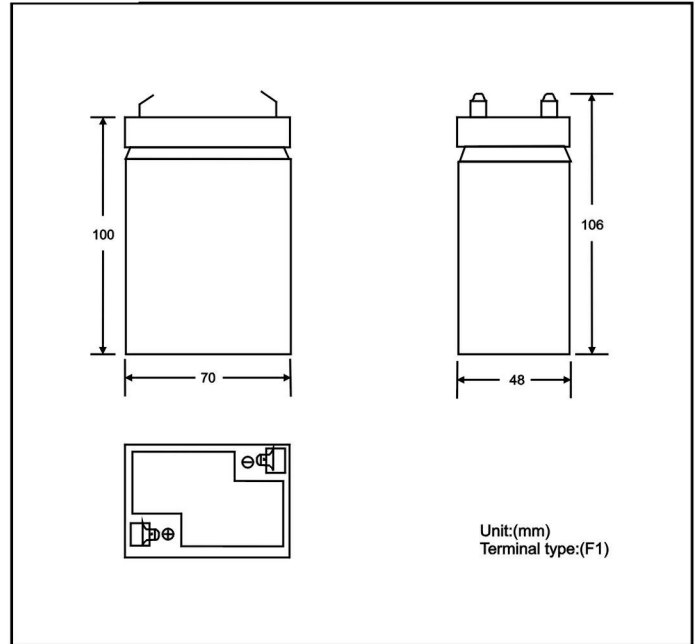


A brand of **legrand®**

Medium and mini series



Designed Floating Life 5 Years



Specifications

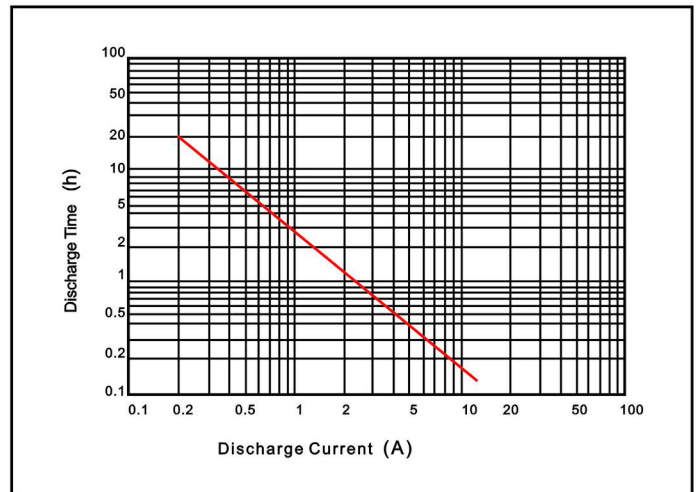
| OT 4-6 | | |
|--------------------------------|-------------------------------|-------|
| Nominal Voltage | 6V | |
| Rated Capacity (20 hours rate) | 4.0Ah | |
| Dimension (±2mm) | Total Height (with terminals) | 106mm |
| | Length | 70mm |
| | Width | 48mm |
| | Height | 100mm |
| Weight (Approx) | 0.66Kg | |

Characteristics

| | | |
|--|--|--|
| Capacity (25°C) | 20 hours rate (0.2A) | 4Ah |
| Discharge Current Testing (25°C) | 20 I ₂₀ rate 1 (4A, 27min) | 30min |
| | 60 I ₂₀ rate 3 (12A, 7min) | 7min |
| Internal Resistance | Full Charged Battery 25°C | 28mΩ |
| Capacity Affected By Temperature (20 hours rate) | 40°C | 102% |
| | 25°C | 100% |
| | 0°C | 85% |
| | -15°C | 62% |
| Residual Capacity (25°C) | Capacity After 3 Months Storage | 91% |
| | Capacity After 6 Months Storage | 82% |
| | Capacity After 12 Months Storage | 64% |
| Cycle (Above 300 Time) | Discharge 2hrs at 1.0A Current Charge 6hrs at 0.4A Current (25°C) | |
| Charge (Constant Voltage) | Cycle (25°C) | Initial Charging Current Less Than 1.2A; Voltage 7.25~7.45V |
| | Float (25°C) | Charge Voltage 6.8~6.9V |

★ The above are average and date obtained from the first 3 charge/discharge cycles. These are not minimum values.

Discharge Current & Duration Time



Discharge Current 25°C

